

UNIVERSITY OF LJUBLJANA
INSTITUTE OF MATHEMATICS, PHYSICS AND MECHANICS
DEPARTMENT OF MATHEMATICS
JADRANSKA 19, 1111 LJUBLJANA, SLOVENIA

Preprint series, Vol. 42 (2004), 934

APPLICATIONS OF
CONTROLLED SURGERY IN
DIMENSION 4: EXAMPLES

Friedrich Hegenbarth Dušan Repovš

ISSN 1318-4865

October 20, 2004

Ljubljana, October 20, 2004

APPLICATIONS OF CONTROLLED SURGERY IN DIMENSION 4: EXAMPLES

FRIEDRICH HEGENBARTH AND DUŠAN REPOVŠ

ABSTRACT. The validity of Freedman's disk theorem is known to depend only on the fundamental group. It was conjectured that it fails for nonabelian free fundamental groups. If this were true then surgery theory would work in dimension 4. Recently, Krushkal and Lee proved a surprising result that surgery theory works for a large special class of 4-manifolds with free nonabelian fundamental groups. The goal of this paper is to show that this also holds for other fundamental groups which are not known to be good, and that it is best understood using controlled surgery theory of Pedersen–Quinn–Ranicki. We consider some examples of 4-manifolds which have the fundamental group either of a closed aspherical surface or of a 3-dimensional knot space. A more general theorem is stated in the appendix.

§ 1. INTRODUCTION

The purpose of this paper is to study 4-dimensional surgery problems by means of controlled surgery. The usual higher dimensional surgery procedure breaks down in dimension four since framed 2-spheres can generically only be immersed in a 4-manifold (whereas for surgery on them one would require embeddings). To get an embedding one uses the *Whitney trick*. Its basic ingredient is the existence of *Whitney disks* along which pairs of intersection points with opposite algebraic intersection number can be cancelled. If one finds these Whitney disks, surgery can be completed provided that the Wall obstruction vanishes. The celebrated disk theorem of Freedman asserts that (see [Fr]):

- (i) The existence of Whitney disks in a 4-manifold M^4 depends only on the fundamental group of M^4 . If they exist then $\pi_1(M^4)$ is called a *good* fundamental group.
- (ii) The (large) class of good fundamental groups includes the trivial group and \mathbb{Z} . (see also [Fr-Qu], [Fr-Tei], [Kru-Qu]).

It has been conjectured that nonabelian free groups are not good. Nevertheless, the following surprising result was proved by Krushkal and Lee ([Kru-Lee]):

Theorem 1.1. *Let X be a 4-dimensional Poincaré complex with a free nonabelian fundamental group, and assume that the intersection form on X is extended from the integers. Let $f : M \rightarrow X$ be a degree one normal map, where M is a closed 4-manifold. Then the vanishing of the Wall obstruction implies that f is normally bordant to a homotopy equivalence $f' : M' \rightarrow X$.*

1991 *Mathematics Subject Classification.* Primary 57X, Secondary 55X.

Key words and phrases. Generalized manifold, ANR, Poincaré duality, ε - δ -surgery, controlled, Poincaré complex, Quinn index, disk theorem, knot group, spine.

Typeset by $\mathcal{A}\mathcal{M}\mathcal{S}$ - $\mathcal{T}\mathcal{E}\mathcal{X}$

Whenever the intersection form is extended from the integers, it follows that X is homotopy equivalent to the connected sum $P\#M'$, where M' is simply connected and P can be assumed to be a finite sum $\#_1^7 S^1 \times S^3$ (see [He-Re-Sp]). Recall that there exist Poincaré 4-complexes with free fundamental group and intersection form which is not extended from \mathbb{Z} (see [Ham-Tei], [He-Pic]).

From this example we see that surgery can be completed for a large class of 4-manifolds (or Poincaré complexes) with fundamental group π , which is not good. This paper will confirm this fact for other fundamental groups. For instance we shall prove:

Theorem 1.2. *Let X be a spin Poincaré 4-complex and suppose that it has the fundamental group of a closed oriented aspherical surface and that the intersection form is extended from \mathbb{Z} . Then any degree one normal map $f : M \rightarrow X$ with vanishing Wall obstruction is normally bordant to a homotopy equivalence.*

We shall also give other examples, e.g. 4-manifolds having the fundamental group isomorphic to some special knot group. Moreover, we shall also recover Theorem 1.1.

The reason why this can happen is that one can divide the *global* surgery problem into smaller pieces for which the *local* fundamental groups are good, i.e. $\{1\}$ or \mathbb{Z} . One gets several local surgery obstructions which assemble to give the global surgery obstruction. This subdivision has to be done in such a way that the global surgery obstruction already determines the local ones. More precisely, the assembly map should be injective.

The subdivision is made according to a control map $p : X \rightarrow B$, where B is a finite-dimensional compact metric ANR. The map p must satisfy the following conditions:

- (i) p is a UV^1 -map;
- (ii) if X is a Poincaré complex then X must be a δ -controlled Poincaré complex over B , where $\delta > 0$ is smaller than some $\varepsilon_0 > 0$ which depends only on B ; and
- (iii) the assembly map $A : H_4(B, \mathbb{L}) \rightarrow L_4(\pi_1(B))$ is injective.

Definitions and more explanations will be given in Section 2. Once we have such a control map we can apply controlled surgery theory to obtain our results. Note that the extreme cases, i.e. when

- (a) either $p = \text{Id} : X \rightarrow X = B$;
- (b) or $p = \text{const} : X \rightarrow \{*\} = B$,

generically do not work since the case (a) does not satisfy condition (iii) whereas the case (b) does not satisfy condition (i) above. It is also obvious that $p : X \rightarrow B$ depends not only on $\pi_1(X)$ but also on the topology of X , so one gets solution of the surgery problem in individual cases.

Remark. The condition (i) can be relaxed to:

- (i') $UV^1(\delta)$, for every $0 < \delta < \varepsilon_0$.

Another example of a 4-manifold with a knot group fundamental group is stated in Theorem 3.2 below.

§ 2. CONTROLLED SURGERY THEORY

To reach our goal we shall need to use the ε - δ surgery sequence and to compare it with the non-controlled one. Let \mathbb{L} denote the 4-periodic simply connected surgery spectrum (see [Qu1] and [Ni] for geometric and [Ra] for algebraic definitions). For a space B we then have \mathbb{L} -homology (resp. cohomology) groups denoted by $H_p(B, \mathbb{L})$ (resp. $H^p(B, \mathbb{L})$). There is a well defined assembly map $A : H_p(B, \mathbb{L}) \rightarrow L_p(\pi_1(B))$, where $L_p(\pi_1(B))$ denotes the Wall group of obstructions to simple homotopy equivalences.

We shall only consider the oriented situation. Let X be an n -dimensional simple Poincaré complex. We suppose that X admits a degree one normal map $f_0 : M_0 \rightarrow X$, so fixing this we have an identification of all degree one normal maps into X , modulo a normal cobordism, with the homotopy set $[X, G/_{TOP}]$ (see [Wa]).

There is a well defined map

$$\Theta : [X, G/_{TOP}] \rightarrow H_n(X, \mathbb{L}),$$

which associates to a given degree one normal map into X its local surgery problems according to a small dissection of X (see [Ra]). Composition with the assembly map

$$\sigma : A \circ \Theta : [X, G/_{TOP}] \rightarrow L_n(\pi_1(X))$$

yields the classical surgery obstruction map of Wall.

The topological structure set of X consists of simple homotopy equivalences $f : M^n \rightarrow X$, where M^n is a closed manifold. Two such homotopy equivalences $f : M \rightarrow X$, $f' : M' \rightarrow X$ are equivalent if there is a homeomorphism $g : M \rightarrow M'$ such that the diagram

$$\begin{array}{ccc} M & \xrightarrow{g} & M' \\ f \searrow & & \swarrow f' \\ & X & \end{array}$$

homotopy commutes. The set of equivalence classes will be denoted by $\mathcal{S}(X)$ and will be called the *topological structure set* of X .

Any homotopy equivalence determines a degree one normal map inducing $\mathcal{S}(X) \rightarrow [X, G/_{TOP}]$. For $n \geq 5$ and X a simple Poincaré complex, there is an exact ordinary surgery sequence

$$\mathcal{S}(X) \rightarrow [X, G/_{TOP}] \rightarrow L_n(\pi_1(X)).$$

This sequence can be extended to the left by the Wall realization of obstructions

$$L_{n+1}(\pi_1(X)) \rightarrow \mathcal{S}(X).$$

For this one has to fix a simple homotopy equivalence $f_0 : M_0 \rightarrow X$, where M_0 is a topological manifold and $\dim X \geq 6$. In the controlled concept there is a realization of elements in $H_{n+1}(B, \mathbb{L})$ giving a four-term exact sequence which also holds for $n = 4$. In this note we do not consider this part of the sequence so we will not give more details.

Before we state the ε - δ surgery sequence we need few more definitions. Let $p : X \rightarrow B$ be a control map, B a (finite-dimensional) compact metric ANR. Then p is a $UV^1(\delta)$ -map, $\delta > 0$, if every commutative diagram

$$\begin{array}{ccc}
K_0 & \xrightarrow{\alpha_0} & X \\
\downarrow & & \downarrow p \\
K & \xrightarrow{\alpha} & B
\end{array}$$

where K is a 2-complex and $K_0 \subset K$ is a subcomplex, can be completed by a map $\bar{\alpha} : K \rightarrow X$ such that $\bar{\alpha}|_{K_0} = \alpha_0$ and $d(p \circ \bar{\alpha}(u), \alpha(u)) < \delta$ for all $u \in K$. The map p is called a UV^1 map if it is a $UV^1(\delta)$ map for every $\delta > 0$. Here, $d : B \times B \rightarrow \mathbb{R}_+$ denotes the metric on B .

Suppose now that X is an n -dimensional Poincaré complex, and suppose that X has a simplicial structure. By the Borsuk theorem the simplicial structure hypothesis can often be obtained replacing X by a homotopy equivalent space and then working with it.

A space X is said to be an (oriented) δ -Poincaré complex with respect to $p : X \rightarrow B$ if

- (i) for every simplex Δ of X the diameter of $p(\Delta) \subset B$ is less than δ ; and
- (ii) there exists a fundamental cocycle $\xi \in C_n(X)$ such that the cap product

$$\cap \xi : C^k(X) \rightarrow C_{n-k}(X)$$

is a δ -chain equivalence.

The second condition requires geometric module structure on the Λ -chain complex $\{C_k(X) = H_n(\tilde{X}^{(k)}, \tilde{X}^{(k-1)}) \mid k = 0, 1, 2, \dots\}$, where $\Lambda = \mathbb{Z}[\pi_1(X)]$. We shall not give any more details but will refer to the literature (see [Ra-Ya1], [Ra-Ya2]). A more geometric definition was given in [Qu2].

If X is a manifold then one obtains by barycentric subdivision a δ -Poincaré structure for every $\delta > 0$ with respect to $p = \text{Id} : X \rightarrow X$, hence with respect to every $p : X \rightarrow B$.

Suppose that $f, g : Y \rightarrow X$ are given maps. Then f is said to be δ -homotopic to g if there is a homotopy $h : Y \times I \rightarrow X$ between f and g such that for any $y \in Y$ the diameter of $\{ph(y, t) \mid t \in I\} \subset B$ is less than δ .

Moreover, $f : Y \rightarrow X$ is called a δ -homotopy equivalence if there exists $g : X \rightarrow Y$ and homotopies $h : X \times I \rightarrow X$, $h' : Y \times I \rightarrow Y$ between $f \circ g$ and Id_X (resp. $g \circ f$ and Id_Y) such that the diameters of $\{ph(x, t) \mid t \in I\}$ and $\{pfh'(y, t) \mid t \in I\}$ are less than δ for all $x \in X$ (resp. $y \in Y$).

Lemma 2.1. *Suppose that $f : Y \rightarrow X$ is a δ -homotopy equivalence and Y a δ' -Poincaré complex with respect to $p \circ f$. Then X is a $(\delta' + 2\delta)$ -Poincaré complex over B .*

This is a useful observation. It follows easily from [Ra-Ya1; Proposition 2.3]. The following is the main theorem of [Pe-Qu-Ra]:

Theorem 2.2. *Let $p : X \rightarrow B$ be as in §1, X a closed topological n -manifold. Then there exists an $\varepsilon_0 > 0$, depending on B such that for every $0 < \varepsilon < \varepsilon_0$ there exists $\delta > 0$ such that the following holds: Let $n \geq 4$. If $p : X \rightarrow B$ is a $UV^1(\delta)$ map, then there exists the following controlled surgery exact sequence*

$$H_{n+1}(B, \mathbb{L}) \rightarrow \mathcal{S}_{\varepsilon, \delta}(X, p) \rightarrow [X, G/TOP] \rightarrow H_n(B, \mathbb{L}).$$

Supplement. *If additionally, $p : X \rightarrow B$ is a sufficiently small controlled Poincaré complex over B then the surgery sequence*

$$\mathcal{S}_{\varepsilon,\delta}(X) \rightarrow [X, G/_{TOP}] \rightarrow H_n(B, \mathbb{L})$$

is also exact.

The controlled structure set $\mathcal{S}_{\varepsilon,\delta}(X)$ is defined as follows: Its elements are represented by δ -homotopy equivalence $f : M \rightarrow X$ over B , where M is a closed topological n -manifold. Another δ -homotopy equivalence $g : N \rightarrow X$ is said to be ε -related to (M, f) if there exists a homeomorphism $h : M \rightarrow N$, so that

$$\begin{array}{ccc} M & \xrightarrow{h} & N \\ f \searrow & & \swarrow g \\ & X & \end{array}$$

is ε -homotopy commutative. This relation is reflexive and symmetric, so it gives rise to an equivalence relation. (However, the proof actually shows the transitivity of the relations above.) This theorem has a relative version which we shall not use.

As explained above, we now have the following commutative diagram for $n = 4$ (assuming the hypotheses of the theorem),

$$\begin{array}{ccccc} \mathcal{S}_{\varepsilon,\delta}(X) & \longrightarrow & [X, G/_{TOP}] & \longrightarrow & H_4(B, \mathbb{L}) \\ \downarrow & & \parallel & & \downarrow^A \\ \mathcal{S}(X) & \longrightarrow & [X, G/_{TOP}] & \longrightarrow & L_4(\pi_1(B)). \end{array}$$

Hence in order to solve the 4-dimensional surgery problem with target X one needs a control map $p : X \rightarrow B$ satisfying conditions (i), (ii) and (iii) stated in §1. Examples will be given in the following section.

§ 3. EXAMPLES

There is another characterization of UV^1 -maps which is useful in the applications (see [Dav] or [BFMW]). A subset A of a space is called UV^1 if for each neighborhood U of A in X there is another neighborhood V of A with $V \subset U$, such that the induced map $\pi_1(V) \rightarrow \pi_1(U)$ is zero for any point in V , and any two points in V can be connected in U . The following is a special case of the approximate lifting theorem ([Dav; p. 126]):

Theorem 3.1. ([Dav]) *Suppose X is a metric space and G is an upper semicontinuous UV^1 -decomposition of X (i.e. each member $A \in G$ is a UV^1 subset). Let $B = X/G$ and $p : X \rightarrow B$. Then p is a UV^1 map.*

As the first example we consider X as a Poincaré 4-complex with free nonabelian fundamental group and \mathbb{Z} -extended Λ -intersection form, $\Lambda = \mathbb{Z}[\pi_1(X)]$. By results from [He-Re-Sp], X is homotopy equivalent to $(\#_1^r S^1 \times S^3) \# M' = M$. A homotopy equivalence $M \rightarrow X$ induces an "isomorphism" of the ordinary short exact surgery sequences, i.e. we transform a surgery problem with target X to a surgery problem with target M .

Lemma 3.2. *Let $M\#M'$ be the connected sum of two topological manifolds and $p : M\#M' \rightarrow M$ the map which collapses M' to a point. If M' is simply connected then p is a UV^1 map.*

Proof. The map p is the composition of the maps p_2 and p_1 : $p_1 : M\#M' \rightarrow M \vee M'$ is the map which collapses the 3-sphere $\sum^3 \subset M\#M'$ to the base point of the wedge $M \vee M'$. More precisely, a bicollar $[-1, 1] \times \sum^3$ is radially smashed to $D^4 \vee D^4 \subset M \vee M'$, fixing $\{\pm 1\} \times \sum^3$. The inverse images are points or a nicely embedded \sum^3 . Hence by Theorem 3.1, p_1 is a UV^1 map.

Next, the map $p_2 : M \vee M' \rightarrow M$ is the projection. Since $\pi_1(M') = \{1\}$, Theorem 3.1 again implies that p_2 is a UV^1 map.

It remains to observe that the composition of UV^1 -maps is again a UV^1 -map. \square

The proof of 3.2. shows the following:

Lemma 3.3. *If $M_1\#M_2$ is a connected sum of topological manifolds, then the smash map $p : M_1\#M_2 \rightarrow M_1 \vee M_2$, is UV^1 .*

We consider now the following composition

$$\begin{aligned} p = p_3 p_2 p_1 : (\#_1^r S^1 \times S^3) \# M' &\xrightarrow{p_1} (\bigvee_1^r S^1 \times S^3) \vee M' \\ &\xrightarrow{p_2} (\bigvee_1^r S^1 \times S^3) \xrightarrow{p_3} \bigvee_1^r S^1 = B \end{aligned}$$

where p_3 is induced by the projections $S^1 \times S^3 \rightarrow S^1$. Obviously, p_3 is a UV^1 map, hence we obtain the following:

Corollary 3.4. *$p : (\#_1^r S^1 \times S^3) \# M' = M \rightarrow \bigvee_1^r S^1 = B$ is UV^1 .*

From the Atiyah–Hirzebruch spectral sequence

$$E_{rs}^2 = H_r(B, \pi_s(\mathbb{L})) \implies H_{r+s}(B, \mathbb{L})$$

we deduce the well-known fact that $A : H_4(B, \mathbb{L}) \rightarrow L_4(\pi_1(B))$ is an isomorphism. In particular $E_{rs}^2 = 0$ for $r > 1$, so the spectral sequence collapses and $H_4(B, \mathbb{L}) = H_0(B, \mathbb{Z}) = \mathbb{Z} \cong L_4(\pi_1(B))$. Recall that:

$$\pi_s(\mathbb{L}) = \begin{cases} 0 & \text{if } s \text{ is odd} \\ \mathbb{Z}_2 & \text{if } s \equiv 2(4) \\ \mathbb{Z} & \text{if } s \equiv 0(4), \end{cases}$$

Since M is a manifold, the map $p : M \rightarrow \bigvee_1^r S^1$ satisfies condition (i), (ii) and (iii). This proves Theorem 1.1. \square

To prove Theorem 1.2. we consider a Poincaré complex X^4 with $w_2(X) = 0$ and Λ -intersection form extended from \mathbb{Z} . The fundamental group of X is that of a surface F . The construction of [Cav-He-Rep] applies to give a degree one normal map $X \xrightarrow{f} F \times S^2$. This splits the Λ -intersection form. Since it is extended from

the \mathbb{Z} -intersection form one gets a homotopy equivalence $X \simeq F \times S^2 \# M' = M$, where M' is simply connected.

We get as above the following UV^1 -map:

$$p = p_3 p_2 p_1 : M \rightarrow F \times S^2 \vee M' \rightarrow F \times S^2 \rightarrow F = B.$$

The Mayer–Vietoris technique can be applied to the L -functor (see [Capp]) and to $H_n(B, \mathbb{L})$ to show that $A : H_4(B, \mathbb{L}) \rightarrow L_4(\pi_1(B))$ is an isomorphism. In particular $L_4(\pi_1(B)) = \mathbb{Z} \oplus \mathbb{Z}_2$. So $p : M \rightarrow B$ satisfies the conditions (i), (ii) and (iii), which proves Theorem 1.2. \square

Our next example are 4-manifolds whose fundamental groups are knot groups. As the control space B we take a spine of the knot complement in S^3 . It is well known that B is an aspherical space and that $H_p(B) = \mathbb{Z}$ for $p = 0, 1$ and trivial otherwise. The Atiyah–Hirzebruch spectral sequence then gives $H_4(B, \mathbb{L}) = \mathbb{Z}$, in fact $A : H_4(B, \mathbb{L}) \rightarrow L_4(\pi_1(B))$ is an isomorphism.

Theorem 3.5. *Suppose that B is the spine of the complement of a torus knot. Let X be the boundary of a regular neighborhood of B embedded in \mathbb{R}^5 . Then the surgery sequence*

$$\mathcal{S}(X) \rightarrow [X, G/_{TOP}] \rightarrow L_4(\pi_1(X))$$

is exact.

Note that X is a manifold. So it remains to verify only condition (i) of §1. We state it as follows:

Lemma 3.6. *Let $p : X \rightarrow B$ be the restriction of the neighborhood collapsing map. Then p is a UV^1 map.*

Proof. We apply Theorem 3.1. and show that the inverse images of points are well embedded 2-spheres. So let k be a torus knot of type (k, l) . The torus divides S^3 into solid tori T and T^* , and $k \subset T \cap T^* = S^1 \times S^1$. Let $M = S^3 \setminus \overset{\circ}{N}(k)$, where $N(k)$ is a small tubular neighborhood around $k \subset S^3$. The spine of M consists of subcomplexes $S \subset T$ and $S^* \subset T^*$ which intersect in a circle in $T \cap T^* = S^1 \times S^1$ parallel to the knot k .

If we look at slices of the solid tori T and T^* , the pictures of S and S^* , respectively are as in the Figure 1 below (where we take $(k, l) = (3, 2)$, i.e. the trefoil knot)

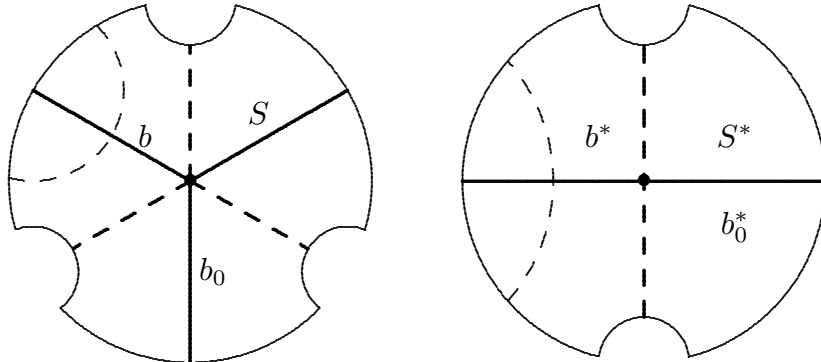


Figure 1

If $c : M \rightarrow S \cup S^* = B$ is the collapsing map, then for $b \in S$, $c^{-1}(b)$ is a wedge of a finite number of segments intersecting in k (the dotted segments). Similarly for $b^* \in S^*$.

We now consider the embedding $B \subset \mathbb{R}^5$ given by $B \subset M \subset S^3 \subset S^3 \times D^1 \subset \mathbb{R}^4 \subset \mathbb{R}^5$. So the boundary of a regular neighborhood of $B \subset \mathbb{R}^5$ is $\partial(M \times D^2) = \partial M \times D^2 \cup M \times \partial D^2 = X$ and the neighborhood collapsing map is the composition of the projection $M \times D^2 \xrightarrow{\pi} M$ followed by c , that is

$$p = c \circ \pi|_X : X \rightarrow B.$$

Then it can be fairly easily seen that $p^{-1}(b)$ is a PL 2–sphere, hence p is a UV^1 –map. \square

§ 4. APPENDIX

1. Using Daverman’s theorem (see Theorem 3.1 above) one gets UV^1 –maps $p : X \rightarrow B$ in the following way: Let $U \subset X$ be a compact 4–dimensional submanifold with boundary ∂U . If any component of U is simply connected then the projection $p_U : X \rightarrow X/U$ is UV^1 . We shall say that a 4–manifold X is a *good manifold* if there exists a submanifold U such that $A : H_4(X/U; \mathbb{L}) \rightarrow L_4(\pi_1(X))$ is injective. Note that $\pi_1(X) \cong \pi_1(X/U)$. Then one gets the following more general result:

Theorem 4.1. *If a 4–manifold M^4 is homotopy equivalent to a good 4–manifold X , then the surgery sequence*

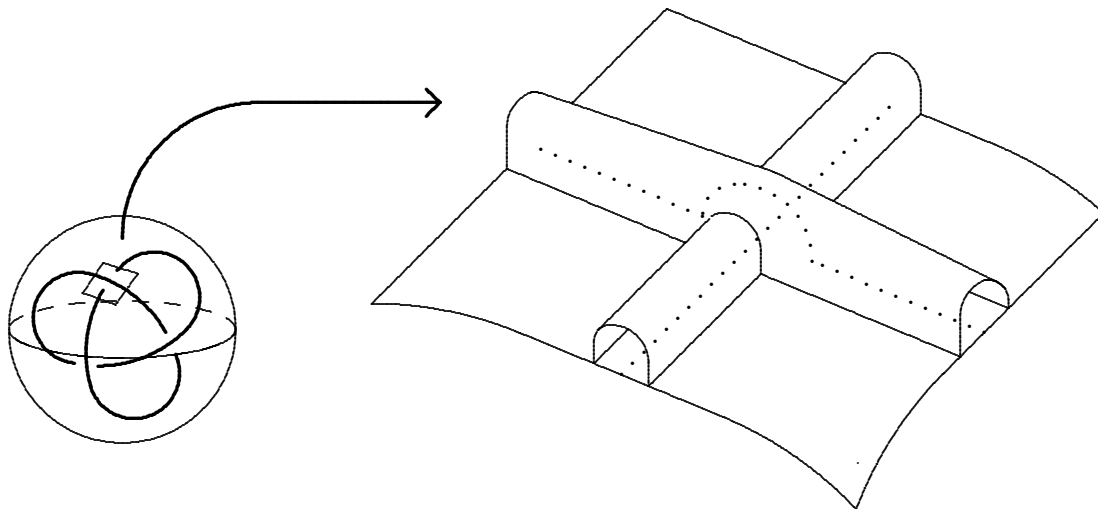
$$\mathcal{S}(X) \rightarrow [X, G/_{TOP}] \rightarrow L_4(\pi_1)$$

is exact.

Note that ” X has a good fundamental group” does not imply that ” X is a good manifold”, and vice-versa.

2. Let π be the fundamental group of an arbitrary knot $k \subset S^3$. There is a well-known procedure (see e.g. [Ma]) by which one can construct a (special) compact 2–polyhedron $K \subset S^3$, such that $\pi_1(K) \cong \pi = \pi_1(\overline{S^3 \setminus k})$. We briefly outline it below.

Let a knot k be given by its projection onto S^2 , which is discontinued at the double points – in order to show which of the diagram’s parts goes over the other. Glue a long closed strip (a tunnel) to S^2 and to itself along the knot projection, as it is shown in Figure 2.



We obtain a (special) spine K of the twice punctured knot complement, i.e. of the compact 3-dimensional manifold $N^3 \subset S^3$ which collapses to K , $N^3 \searrow K$, and $\partial N = S^2 \cup (S^1 \times S^1) \cup S^2$. Unfortunately, the 2-polyhedron K contains a nontrivial 2-sphere, i.e. $H_2(K, \mathbb{Z}_2) \neq 0$. However, since $L_4(\pi) = \mathbb{Z}$, the control space $B = K$ should have trivial $H_2(K, \mathbb{Z})$, in order to guarantee that the assembly map $A : H_4(B, \mathbb{L}) \rightarrow L_4(\pi)$ is an isomorphism. Therefore our method by which we treated the case of torus knot groups in Section 3, does not generalize to arbitrary knot groups.

ACKNOWLEDGEMENTS

The second author was supported in part by the Ministry for Education, Science and Sport of the Republic of Slovenia. This paper is a result of our *Research in Pairs* stay at the Mathematisches Forschungsinstitut Oberwolfach in April 2004. We thank the institute for the excellent working conditions and their hospitality.

REFERENCES

- [BFMW] J. L. Bryant, S. C. Ferry, W. Mio and S. Weinberger, *Topology of homology manifolds*, Ann. of Math. (2) **143** (1996), 435–467.
- [Capp] S. Cappell, *Mayer–Vietoris sequences in Hermitian K -theory*, Batelle Inst. Conf. 1972, Lect. Notes. Math. **343**, Springer, New York, 478–507.
- [Cav-He-Rep] A. Cavicchioli, F. Hegenbarth and D. Repovš, *Four-manifolds with surface fundamental groups*, Trans. Amer. Math. Soc. **349** (1997), 4007–4019.
- [Dav] R. J. Davermann, *Decomposition of Manifolds*, Academic Press, Orlando 1986.
- [Fr] M. H. Freedman, *The topology of four-dimensional manifolds*, J. Diff. Geo. **17** (1982), 357–453.
- [Fr-Qu] M. H. Freedman and F. S. Quinn, *Topology of 4-Manifolds*, Princeton Univ. Press, Princeton, N.J. 1990.
- [Fr-Tei1] M. Freedman and P. Teichner, *4-manifold topology: I. Subexponential groups*, Inv. Math. **122** (1995), 509–529.
- [Fr-Tei2] M. Freedman and P. Teichner, *4-manifold topology: II. Dwyer’s fibration and surgery kernels*, Inv. Math. **122** (1995), 531–557.
- [Ham-Tei] I. Hambleton and P. Teichner, *A non-extended hermitian form over $\mathbb{Z}[\mathbb{Z}]$* , Manuscripta Math. **93** (1997), 435–442.
- [He-Pic] F. Hegenbarth and S. Piccarella, *On Poincaré four-complexes with free fundamental groups*, Hiroshima Math. J. **32** (2002), 145–154.
- [He-Re-Sp] F. Hegenbarth, D. Repovš and F. Spaggiari, *Connected sums of 4-manifolds*, Topol. Appl., to appear.
- [Kru-Lee] V. Krushkal and R. Lee, *Surgery on closed manifolds with free fundamental groups*, Math. Proc. Camb. Philos. Soc. **133** (2002), 305–310.
- [Kru-Qu] V. Krushkal and F. Quinn, *Subexponential groups in 4-manifold topology*, Geom. Topol. **4** (2000), 407–430.
- [Ma] S. V. Matveev, *Complexity of three-dimensional manifolds: Problems and results*, Siberian Adv. Math. **13**:3 (2003), 95–103.
- [Ni] A. Nicas, *Induction theorems for groups of homotopy manifold structures*, Memoirs Amer. Math. Soc. **267** (1982).
- [Pe-Qu-Ra] E. K. Pedersen, F. Quinn and A. Ranicki, *Controlled surgery with trivial local fundamental groups*, Proc. School on High-Dimensional Manifold Topology, ICTP, Trieste 2001 (T. Farrell and W. Lück, eds.), World Sci. Press, Singapore, 2003, pp. 421–426.
- [Qu1] F. Quinn, *A geometric formulation of surgery*, Topology of Manifolds, Proc. 1969 Georgia Topology Conference, Markham Press, Chicago 1970, 500–511.
- [Qu2] F. Quinn, *Resolution of homology manifolds and the topological characterization of manifolds*, Invent. Math. **72** (1983), 264–284.
- [Ra] A. A. Ranicki, *Algebraic L -theory and Topological Manifolds*, Cambridge Univ. Press, Cambridge 1992.
- [Ra-Ya1] A. A. Ranicki and M. Yamasaki, *Controlled K -theory*, Topol. Appl. **61** (1995), 1–59.
- [Ra-Ya2] A. A. Ranicki and M. Yamasaki, *Controlled L -theory*, arXiv:mat.GT/0402217v1.
- [Wa] C. T. C. Wall, *Surgery on Compact Manifolds*, Academic Press, New York 1971.

DEPARTMENT OF MATHEMATICS, UNIVERSITY OF MILANO, VIA C. SALDINI 50, MILANO, ITALY 02130. E-MAIL: FRIEDRICH.HEGENBARTH@MAT.UNIMI.IT

INSTITUTE FOR MATHEMATICS, PHYSICS AND MECHANICS, UNIVERSITY OF LJUBLJANA, JADRANSKA 19, LJUBLJANA, SLOVENIA 1001. E-MAIL: DUSAN.REPOVS@UNI-LJ.SI